

Internal Shift Sort Tray
Type 1232 (B510)

Internal Shift Sort Tray Type 1232 (B510)

PARTS CATALOG

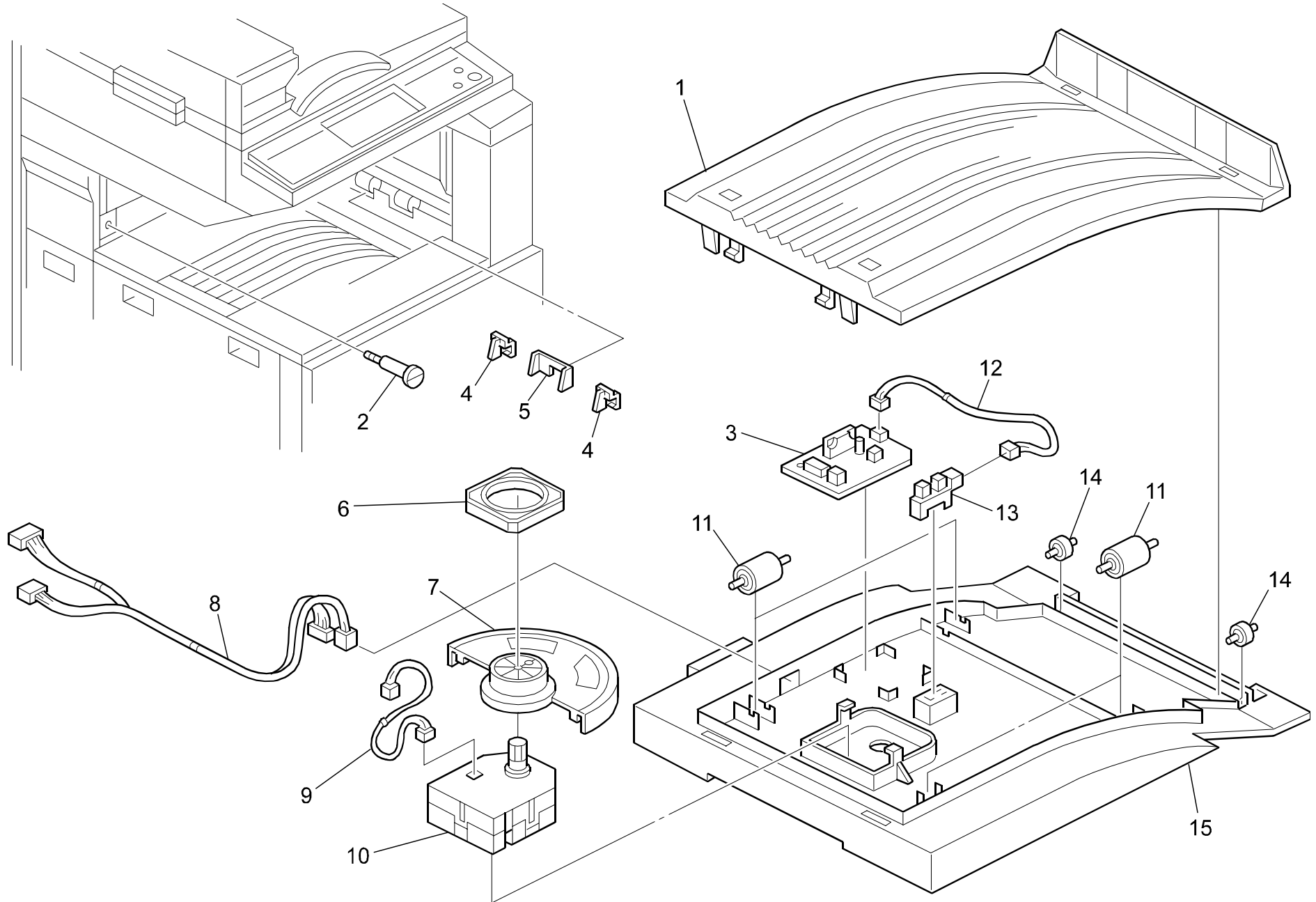
This catalog gives the numbers and names of parts on this machine.

1.SHIFT SORT TRAY (B510).....	2
PARTS INDEX.....	5

Note: The description of the part with "New Color" is used for B510-27,-66 models,

April ,6 ' 2005

1.SHIFT SORT TRAY (B510)



1.SHIFT SORT TRAY (B510)

Index No.	Part No.	Description	Q'ty Per Assembly
1	B313 2104	Slider Shift Tray	1
1	B510 6873	Tray:Shift (New color)	1
2	B510 6901	Idler Shaft	1
2	B510 6904	Shaft:Idler (New color)	1
3	B313 5164	Stb Board	1
4	B510 6903	Front/Rear Guide	2
4	B510 6906	Guide:Auxiliary:Front Rear (New Color)	2
5	B510 6902	Middle Guide	1
5	B510 6905	Guide:Auxiliary:Middle (New color)	1
6	B510 6871	Shift Tray	1
6	B313 2104	Slider Shift Tray (New color)	1
7	B510 6862	Shift Cam	1
8	B510 5472	Shift Tray Harness	1
9	B313 5252	Stb Motor Harness	1
10	AX04 0124	DC Motor - 12W	1
10	AX04 0151	DC Motor:Shift (New Color)	1
11	AF04 0569	Slide Roller	4
12	B510 5473	Stb Sensor Harness	1
13	AW02 0086	Photointerruptor	1
13	AW02 0156	Photointerruptor:EE-SX4235A-P2 (New color)	1
14	AF02 2112	Driven Roller	2
15	B510 6861	Base - Shift Tray	1
15	B510 6863	Base:Shift Tray (New Color)	1

Index No.	Part No.	Description	Q'ty Per Assembly

Parts Index

Parts Index

Part No.	Description	Page and Index No.
B510 5472	Shift Tray Harness	3 - 8
B510 5473	Stb Sensor Harness	3 - 12
B510 6861	Base - Shift Tray	3 - 15
B510 6862	Shift Cam	3 - 7
B510 6863	Base:Shift Tray (New Color)	3 - 15
B510 6871	Shift Tray	3 - 6
B510 6873	Tray:Shift (New color)	3 - 1
B510 6901	Idler Shaft	3 - 2
B510 6902	Middle Guide	3 - 5
B510 6903	Front/Rear Guide	3 - 4
B510 6904	Shaft:Idler (New color)	3 - 2
B510 6905	Guide:Auxiliary:Middle (New color)	3 - 5
B510 6906	Guide:Auxiliary:Front Rear (New Color)	3 - 4

Part No.	Description	Page and Index No.
B313 2104	Slider Shift Tray	3 - 1
B313 2104	Slider Shift Tray (New color)	3 - 6
B313 5164	Stb Board	3 - 3
B313 5252	Stb Motor Harness	3 - 9

Part No.	Description	Page and Index No.
AF02 2112	Driven Roller	3 - 14
AF04 0569	Slide Roller	3 - 11
AW02 0086	Photointerruptor	3 - 13
AW02 0156	Photointerruptor:EE-SX4235A-P2 (New color)	3 - 13
AX04 0124	DC Motor - 12W	3 - 10
AX04 0151	DC Motor:Shift (New Color)	3 - 10

Part No.	Description	Page and Index No.
----------	-------------	--------------------